

o Flat Cable Connectors SEK

o har-mik®

o D-Sub

o InduCom

Applications



## Product details

**09 18 516 5803**

**IDC female connector**

Termination	Flat cable insulation displacement
Connector size	16 contacts
IDC strain relief clamp	Without strain relief
Cover	With an open end cover
Centre polarization	With central polarisation
Performance level	AU-0.76•m [30• Inch]
RoHS compliant	Yes

### Available Downloads

Title	Format	
Data sheet	PDF	download
CAD data 2D	DXF	download

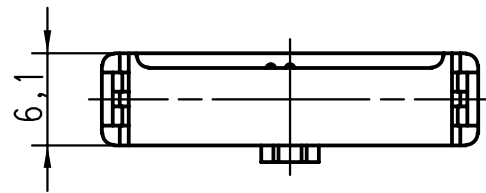
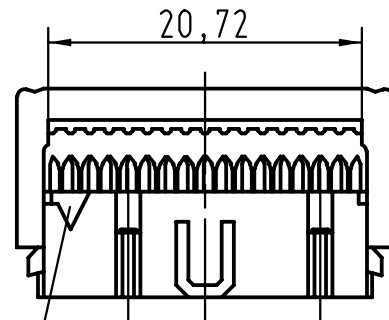
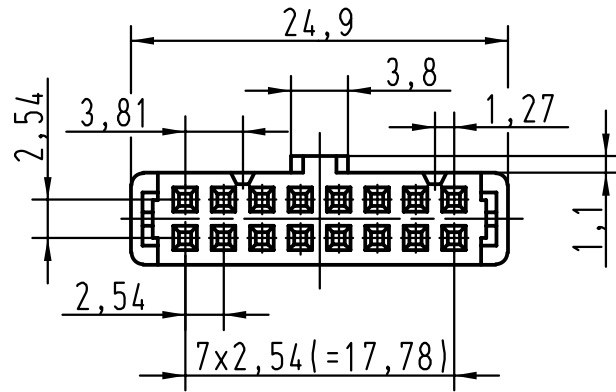
### Further links

3D-Library

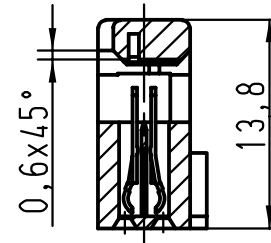


**Inquiry**

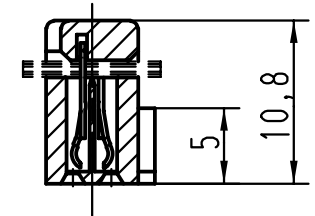
5 4 3 2 1



vorverrastet  
pre assembled



verrastet  
fitted  
assemble



- 1) Markierung erster Kontakt, Ader 1 des Flachkabels
- 1) Contact no.1, 1st contact wire of flat cable
- 1) Contact no.1, repère 1 du câble

		All Dimensions in mm Original Size DIN A 4			Techn. Character.			Nicht tolerierte Masse/ Free size tolerances								
					Detail.		Dat.	Name	Massstab/ Scale  <b>2:1</b>		SEK 18 Female Connector 16 poles with central polarisation cover without cable stop					
09185165803		0,76 μm Au			Insp.		01-FEB-00	JMV								
09185166803		2			Stand.											
09185167803		3							<b>TB 0918516X803</b>		Blatt/ page 1 / 1					
Bestell-Nr. Part-No. Reference		Anforderungsstufe performance level Niveau de qualite			26570		01-FEB-00	JB					HARTING EURL F-95972 Paris		Sub.	
					Mod.		Dat.	Name								

